

Overall Dimensioning

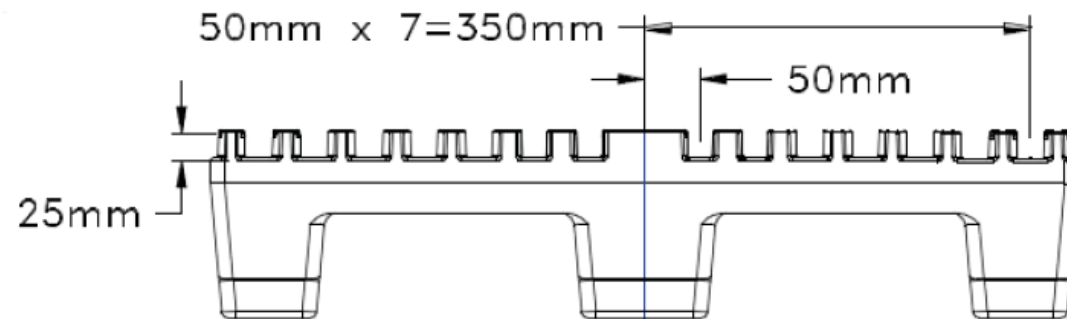
794mm x 616mm x 170mm
31.3" x 24.3" x 6.7"

Pallet Features:

- With or Without Steel Reinforcement
- 4-Way Entry
- Under-Deck Handholds
- Deck-Lok Stacking System

Patent Number/s:

US5606927, EP0725010,
DE69603881, USD433208S



DO NOT SCALE	DRAWN BY	DATE		TITLE:	Stratis Pallet	REVISION
TOLERANCES: AS PER SII STANDARDS	IGG	01/07/14		PART NO.		P79RS00-A
© SNYDER INDUSTRIES INC., 2014 ALL DIMENSIONS NOMINAL & SUBJECT TO CHANGE WITHOUT NOTICE			Snyder Industries Inc. 4700 Fremont Street P.O. Box 4583 Lincoln, NE 68504 +1(402)467-5221 www.pallets.com	ENG. ID.	P79RS00-A-mm-inch	SHEET 1 Of 1
ALL DIMENSIONS, DESIGNS, AND INFORMATION ON THIS PRINT MUST BE CONSIDERED PROPRIETARY TO SNYDER INDUSTRIES, INC. AND MAY NOT BE USED, COPIED, OR DISTRIBUTED WITHOUT WRITTEN PERMISSION OF AN OFFICER (OR HIS AGENT) OF THE FIRM.						