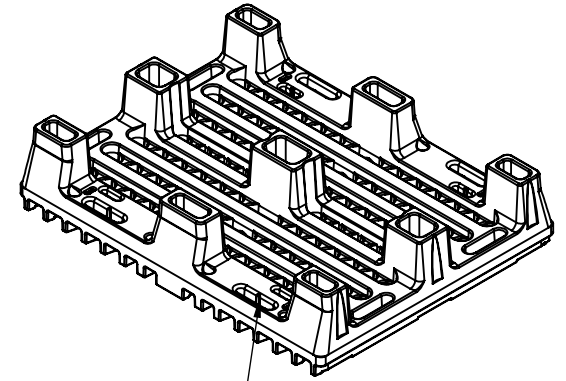
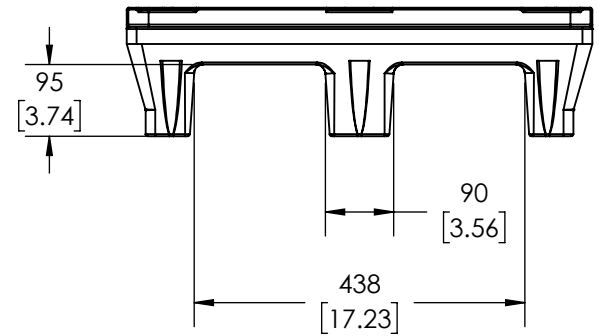
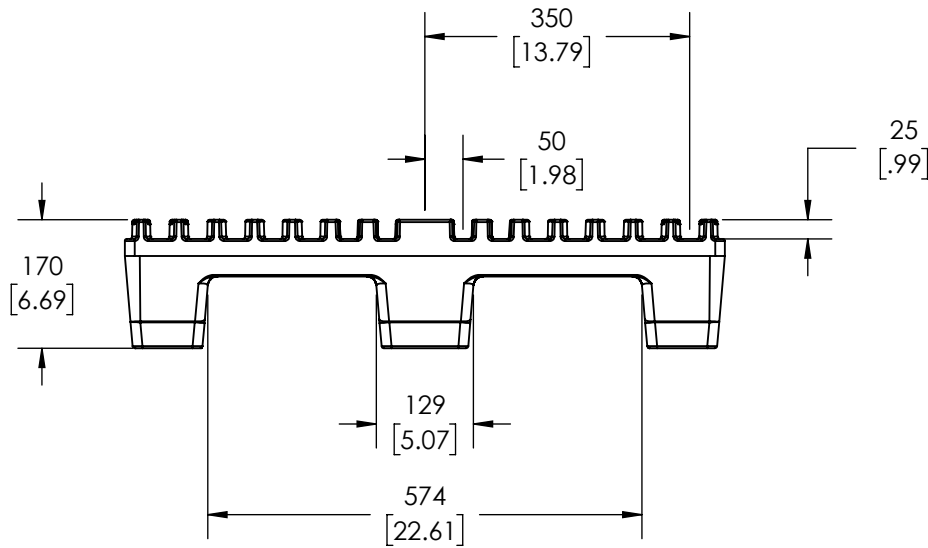


OPTIONAL
CUSTOM
NAMEPLATE



UNDER-DECK
HANDHOLDS




OVERALL DIMENSIONS

794mm x 616mm x 170mm
31.26" x 24.25" x 6.69"

PALLET FEATURES

- MANUAL PRINTING PRESS COMPATIBILITY WITH OR WITHOUT STEEL REINFORCEMENT
- OPTIONAL CUSTOM NAMEPLATE
- UNDER-DECK HANDHOLDS
- 4-WAY ENTRY

**ALL DIMENSIONS ARE IN MM [INCHES], NOMINAL, & SUBJECT TO CHANGE WITHOUT NOTICE.
ALL DIMENSIONS ON MOLDED PARTS ARE SUBJECT TO A ± 3% TOLERANCE.**

DO NOT SCALE		DRAWN BY	TITLE:	REVISION
STATUS: Released		BNC	Stratis Auto Pallet	A
© SNYDER INDUSTRIES, LLC, 2022				SHEET
<small>ALL DIMENSIONS, DESIGNS, AND INFORMATION ON THIS PRINT MUST BE CONSIDERED PROPRIETARY TO SNYDER INDUSTRIES, LLC, AND MAY NOT BE USED, COPIED, OR DISTRIBUTED WITHOUT WRITTEN PERMISSION OF AN OFFICER (OR HIS AGENT) OF THE FIRM.</small>		+1(402)467-5221 www.pallets.com www.snydernet.com	PART NO. P79RS00-M	ENG. ID. D011712
				1 OF 1