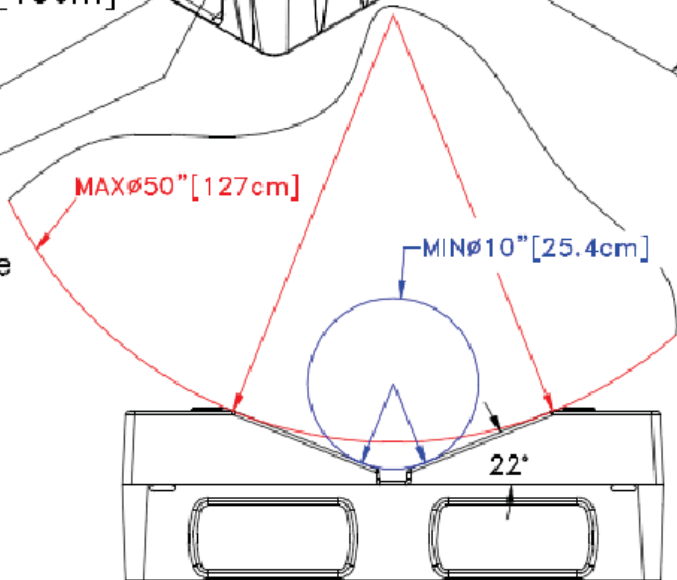


Molded in Pockets for Bookends Storage



**Overall Dimensioning**

31.7" x 48.5" x 10.2"  
80.5cm x 123.2cm x 25.9cm

**Pallet Features:**

- With or Without Steel Reinforcement
- 4-Way Entry
- Fork Lift Safety Straps
- Safety Stacking Feature
- One Piece Molded Pallet

DO NOT SCALE	DRAWN BY	DATE
TOLERANCES: AS PER SII STANDARDS	IGG	01/07/14
© SNYDER INDUSTRIES INC., 2014 ALL DIMENSIONS NOMINAL & SUBJECT TO CHANGE WITHOUT NOTICE		
ALL DIMENSIONS, DESIGNS, AND INFORMATION ON THIS PRINT MUST BE CONSIDERED PROPRIETARY TO SNYDER INDUSTRIES, INC. AND MAY NOT BE USED, COPIED, OR DISTRIBUTED WITHOUT WRITTEN PERMISSION OF AN OFFICER (OR HIS AGENT) OF THE FIRM.		

**Stratis**  
A Brand of Snyder Industries

Snyder Industries Inc.  
4700 Fremont Street  
P.O. Box 4583  
Lincoln, NE 68504  
+1 (402) 467-5221  
www.pallets.com

TITLE:	<b>Stratis Pallet</b>		REVISION <b>0</b>
PART NO.	<b>RP3148S00-4S or S48</b>	ENG. ID.	<b>RP3148S00-4S- inch-cm</b>
		SHEET 1 Of 1	