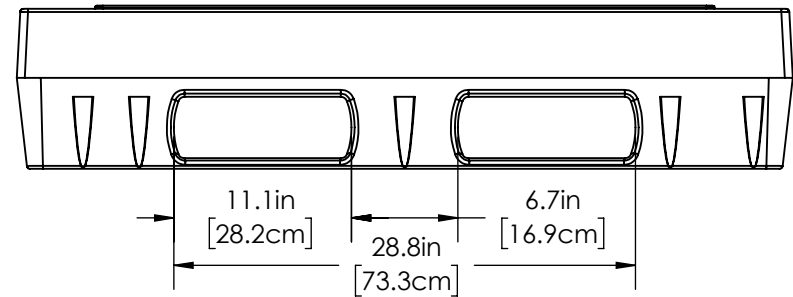
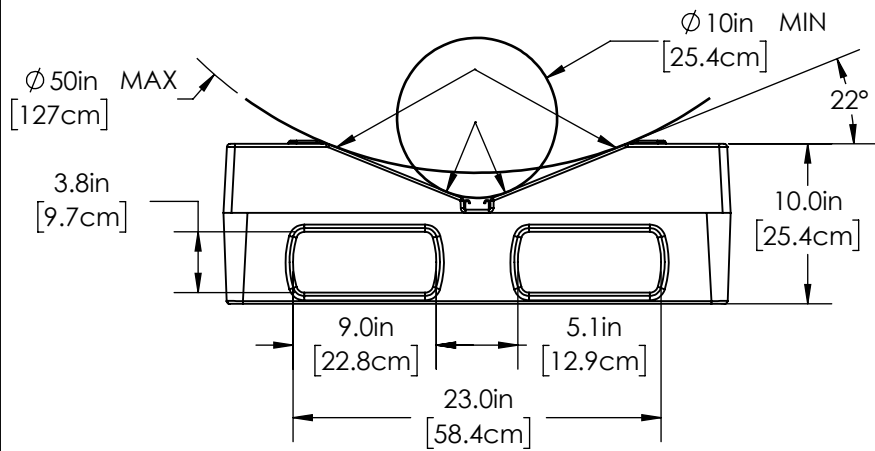
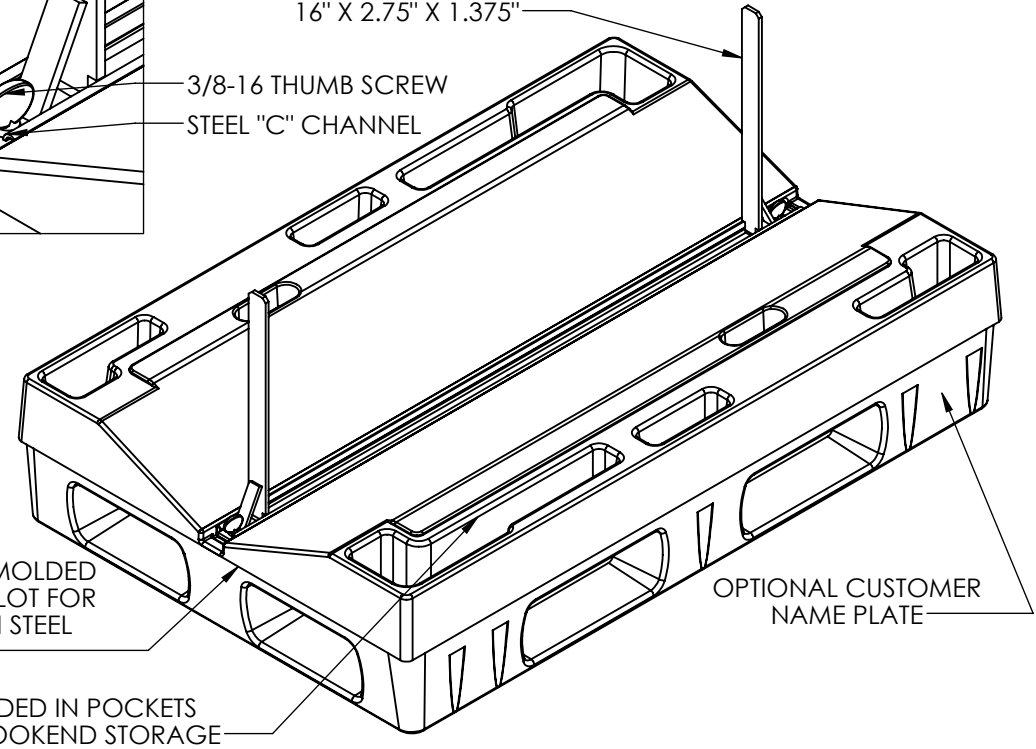



BOOK ENDS FOR SLIT ROLLS  
16" X 2.75" X 1.375"



**PALLET WITH OPTIONAL BOOKENDS SHOWN**

DO NOT SCALE		DRAWN BY	TITLE:	REVISION
STATUS: <b>Released</b>		SB	<b>PLT 31X48 ROLL</b>	<b>A</b>
© SNYDER INDUSTRIES INC., 2016		 A Brand of Snyder Industries		SHEET
ALL DIMENSIONS, DESIGNS, AND INFORMATION ON THIS PRINT MUST BE CONSIDERED PROPRIETARY TO SNYDER INDUSTRIES, INC. AND MAY NOT BE USED, COPIED, OR DISTRIBUTED WITHOUT WRITTEN PERMISSION OF AN OFFICER (OR HIS AGENT) OF THE FIRM.			+1(402)467-5221 www.pallets.com www.snydernet.com	PART NO. <b>RP3148S00</b>
			ENG. ID. <b>A008045</b>	