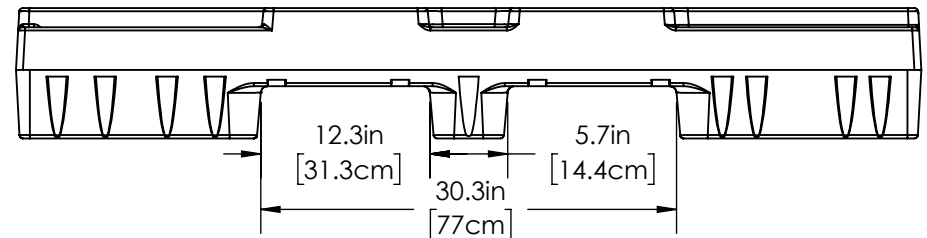
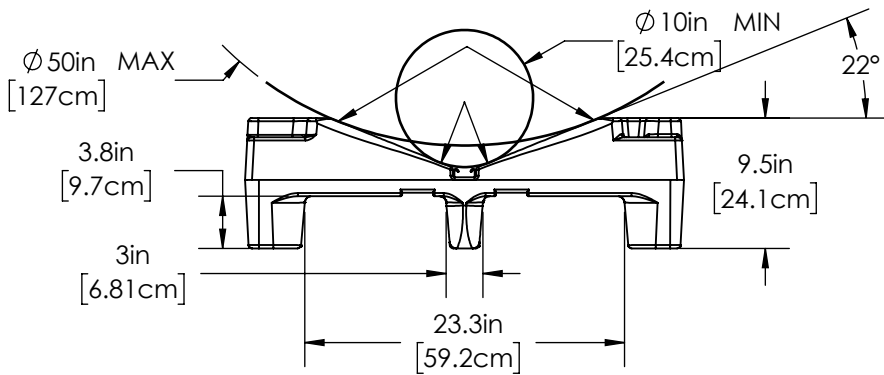
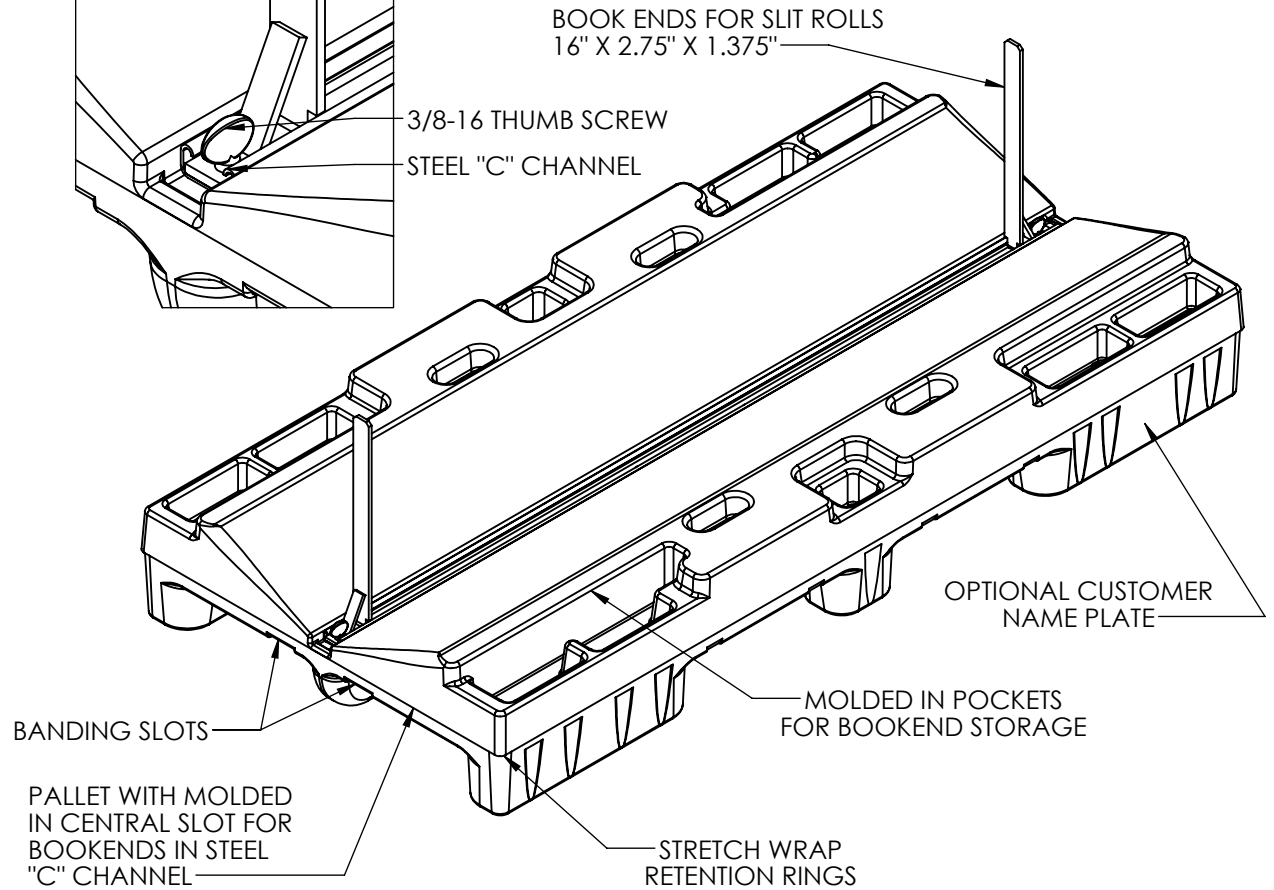



BOOK ENDS FOR SLIT ROLLS
16" X 2.75" X 1.375"



PALLET WITH OPTIONAL BOOKENDS SHOWN

DO NOT SCALE		DRAWN BY	TITLE:	REVISION
STATUS: Released		SB	PLT 32X66 ROLL	A
© SNYDER INDUSTRIES INC., 2016		 A Brand of Snyder Industries	SHEET	
ALL DIMENSIONS, DESIGNS, AND INFORMATION ON THIS PRINT MUST BE CONSIDERED PROPRIETARY TO SNYDER INDUSTRIES, INC. AND MAY NOT BE USED, COPIED, OR DISTRIBUTED WITHOUT WRITTEN PERMISSION OF AN OFFICER (OR HIS AGENT) OF THE FIRM.			PART NO. RP3266S00	ENG. ID. A008036
+1(402)467-5221 www.pallets.com www.snydernet.com				