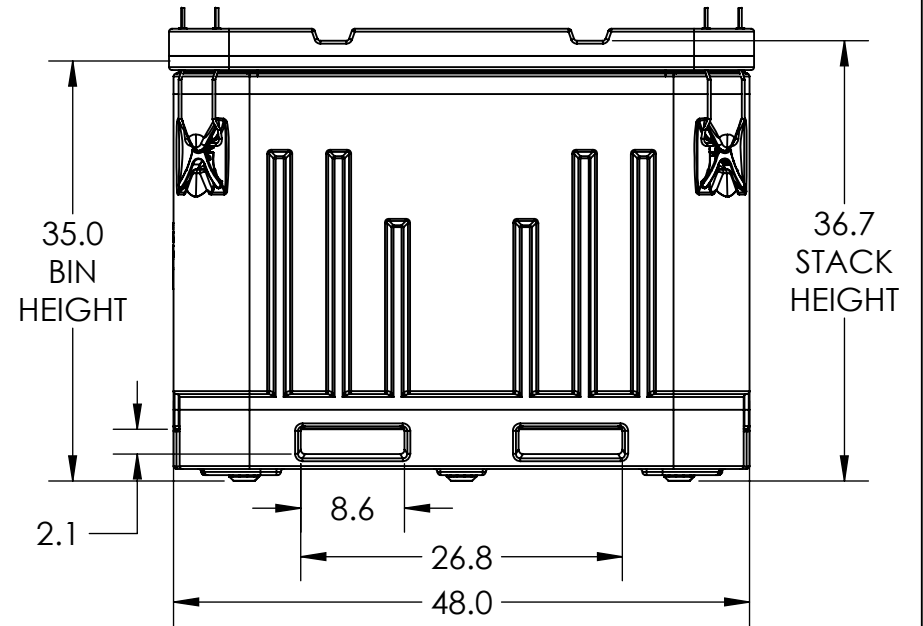
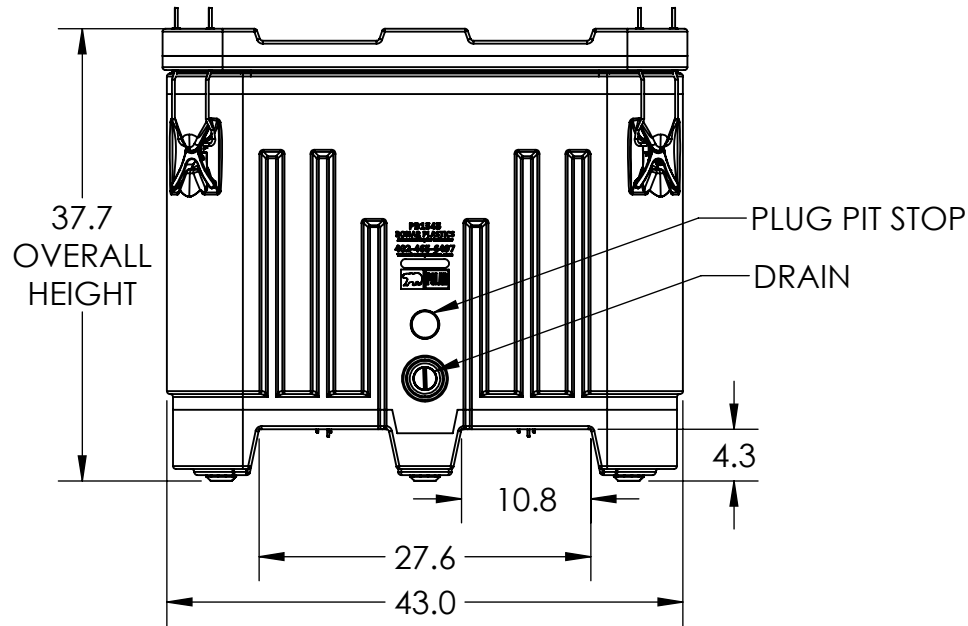
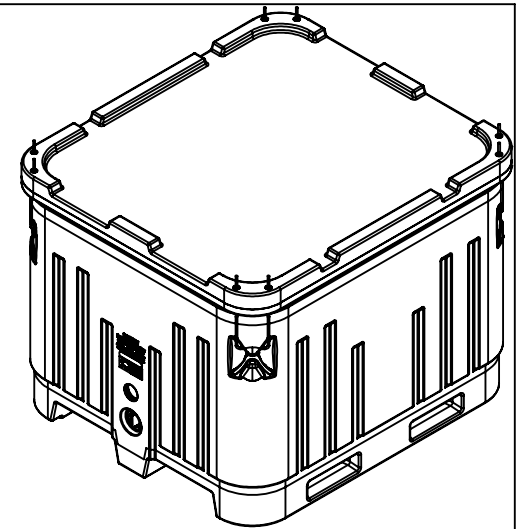


INTERNAL DIMENSIONS:

L: 43.6"  
 W: 38.6"  
 H: 26.9"



ALL DIMENSIONS ARE IN INCHES, NOMINAL, & SUBJECT TO CHANGE WITHOUT NOTICE.  
 ALL DIMENSIONS ON ROTATIONAL MOLDED PARTS ARE SUBJECT TO A  $\pm$  3% TOLERANCE.

DO NOT SCALE		DRAWN BY	BONAR PLASTICS www.bonarplastics.com		REVISION
STATUS: <b>Released</b>		TJK	1005 Atlantic Drive West Chicago, IL 60185 (630)293-0303		<b>A</b>
© SNYDER INDUSTRIES INC., 2016			www.bonarplastics.com		SHEET 1 OF 1
ALL DIMENSIONS, DESIGNS, AND INFORMATION ON THIS PRINT MUST BE CONSIDERED PROPRIETARY TO SNYDER INDUSTRIES, INC. AND MAY NOT BE USED, COPIED, OR DISTRIBUTED WITHOUT WRITTEN PERMISSION OF AN OFFICER (OR HIS AGENT) OF THE FIRM.			PART NO.	ENG. ID.	
			1935400M__01	D006693	

TITLE: **ASM INSUL BIN PB1545 WD**

PART NO. **1935400M\_\_01**

ENG. ID. **D006693**