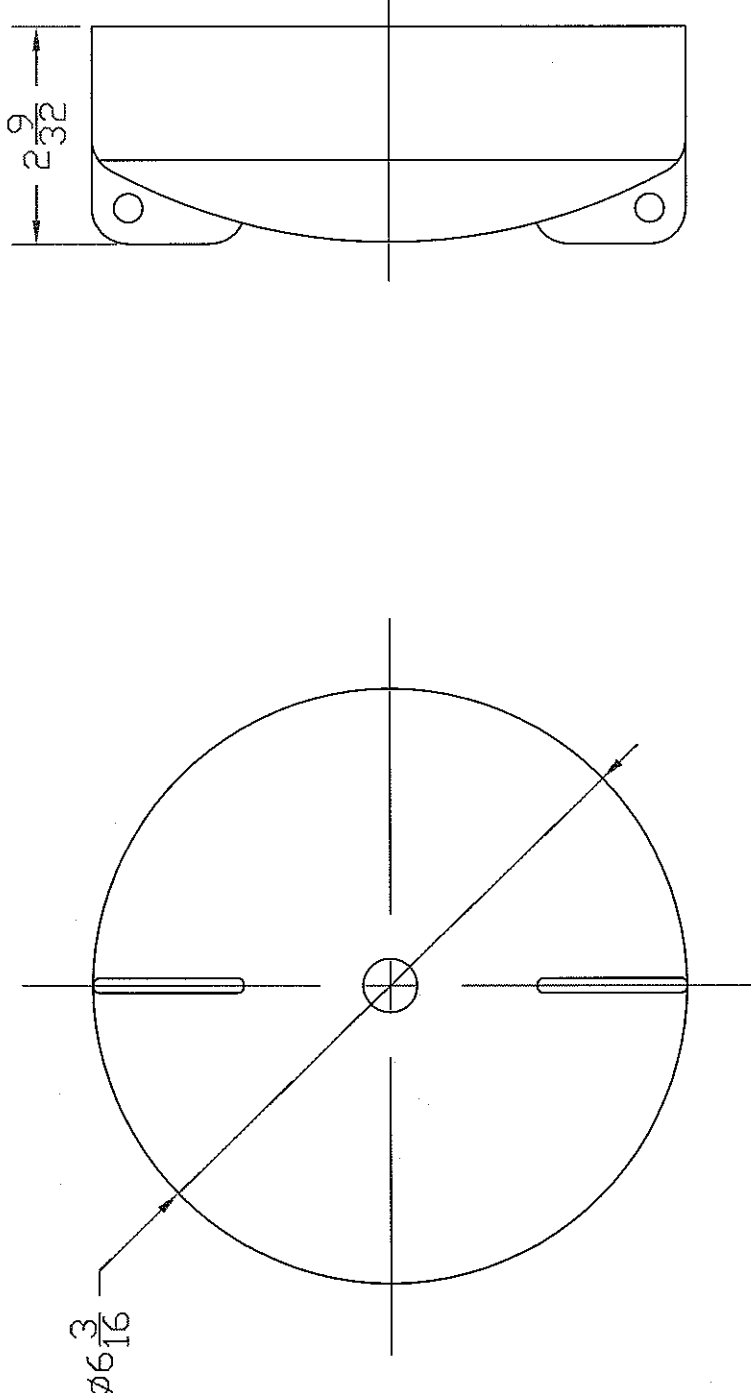


REVISIONS

ZONE	REV	DESCRIPTION	DATE	APPROVED



**NORWESCO**  
ST. BONIFACIUS, MN

5 INCH LID W/ BALL  
CHECK & EPDM GASKET

JTP	22AUG05	SIZE	FSCM NO.	DWG NO.	REV
		A		63484	
SCALE 1/2				SHEET	