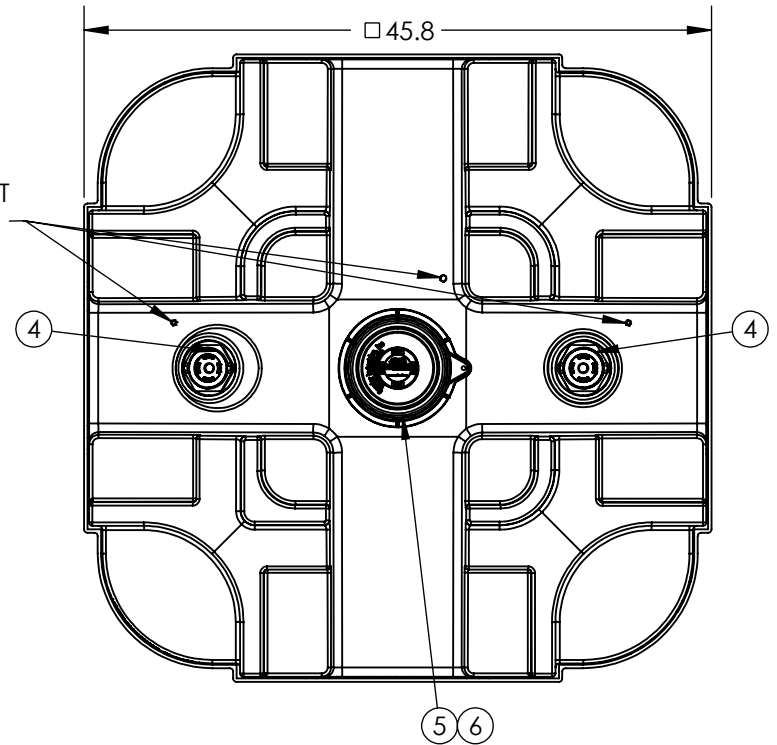


1/4"-20 SS INSERT LOCATIONS



UN MARKING READS:

	31H2/Y/ / /USA
	SNYDER IND. INC.
	LINCOLN, NE 3730 / 2072
	CAPACITY - 1041 LITERS
	TARE MASS - KG
GAUGE TEST PRESSURE - 100 KPA	
LAST LEAKPROOFNESS TEST - /	
LAST INSPECTION - /	

SNYDER INDUSTRIES, INC U.N. MARKED CONTAINER CLOSURE NOTIFICATION.
 ALL DIMENSIONS ARE IN INCHES, NOMINAL, & SUBJECT TO CHANGE WITHOUT NOTICE.
 ALL DIMENSIONS ON ROTATIONAL MOLDED PARTS ARE SUBJECT TO A ± 3% TOLERANCE.

STANDARD 275 SQUARE STACKABLE "STANDARD PACKAGE OF EQUIPMENT"

ITEM NO.	QTY.	PART NUMBER	DESCRIPTION
7	1	34701262	STD IBC ASSEMBLY KIT W/BAG
6	1	34700822	ASM VENT PE 2IN VACUUM SII W/EPDM
5	1	34700391	ASM CAP PE 6IN H.DUTY 2IN NPS-EPDM W/TIE
4	2	34700340	ASM PLUG 2IN NPS BUNG W/EPDM-WHITE
3	1	34702616	ASM VALVE 2IN 4-BOLT STUBBY 100KPA
2	1	6550000B96701	ASM BASE SQ STK H.DUTY HD/BLK
1	1	6620030B97201	ASM TK 275 SQ HD/NAT BDR 2RB/3INS 6CAP

DO NOT SCALE		DRAWN BY		TITLE:	ASM TK 275 SQ NAT 2RB/3INS 6C HDBLK EPDM	REVISION
STATUS:		ET3		ENG. ID.		
© SNYDER INDUSTRIES INC., 2017		(402) 467-5221 www.snydernet.com		PART NO.	6620030B97204	1 OF 1
				ENG. ID.	D002991	B