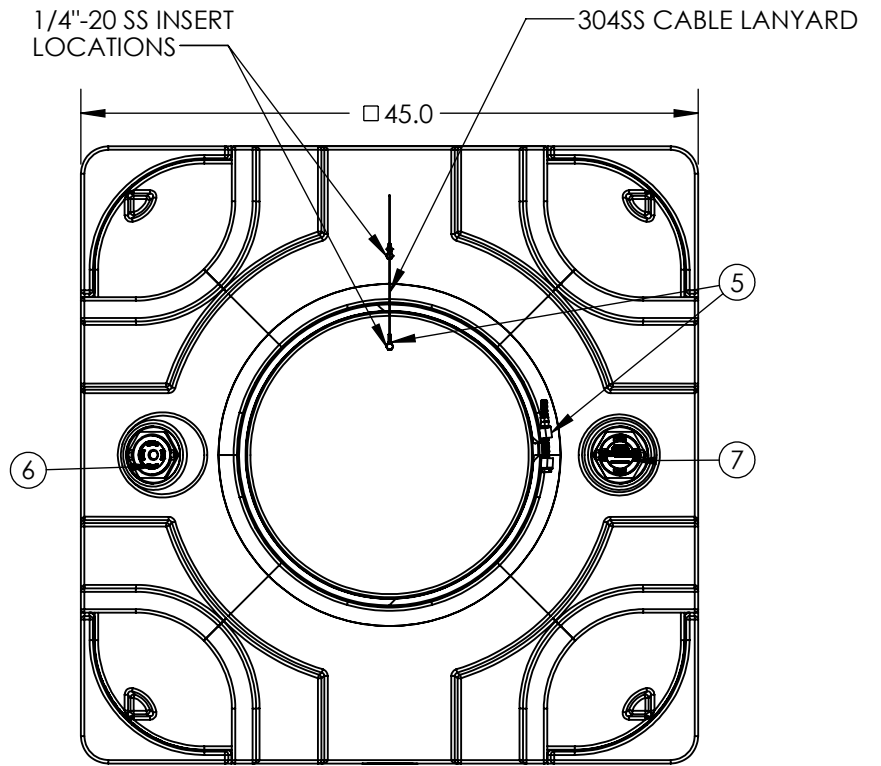


THIS IS A NON U.N. TANK THERE SHOULD BE NO MOLDED IN U.N. MARKINGS



7	1	34700822	ASM VENT PE 2IN VACUUM SII W/EPDM
6	1	34700340	ASM PLUG 2IN NPS BUNG W/EPDM-WHITE
5	1	34702853	ASM BLTD CLAMP RING 22IN WM ZP/SILICONE
4	1	34702616	ASM VALVE 2IN 4-BOLT STUBBY 100KPA
3	1	34701262	STD IBC ASSEMBLY KIT W/BAG
2	1	6210000B97601	ASM BASE SQ STK 4WAY HD/RED
1	1	6620092B97201	ASM TK 275 SQSTK 2RB 22IN WM NUN

ITEM NO.	QTY.	PART NUMBER	DESCRIPTION
DO NOT SCALE		DRAWN BY	REVISION
STATUS: Released		SB	A
© SNYDER INDUSTRIES INC., 2017			TITLE: ASM TK 275 SQSTK NAT/RED 2RB 22IN WM NUN
ALL DIMENSIONS, DESIGNS, AND INFORMATION ON THIS PRINT MUST BE CONSIDERED PROPRIETARY TO SNYDER INDUSTRIES, INC. AND MAY NOT BE USED, COPIED, OR DISTRIBUTED WITHOUT WRITTEN PERMISSION OF AN OFFICER (OR HIS AGENT) OF THE FIRM.			(402) 467-5221 www.snydernet.com

SNYDER INDUSTRIES, INC U.N. MARKED CONTAINER CLOSURE NOTIFICATION.

ALL DIMENSIONS ARE IN INCHES, NOMINAL, & SUBJECT TO CHANGE WITHOUT NOTICE. ALL DIMENSIONS ON ROTATIONAL MOLDED PARTS ARE SUBJECT TO A ± 3% TOLERANCE.