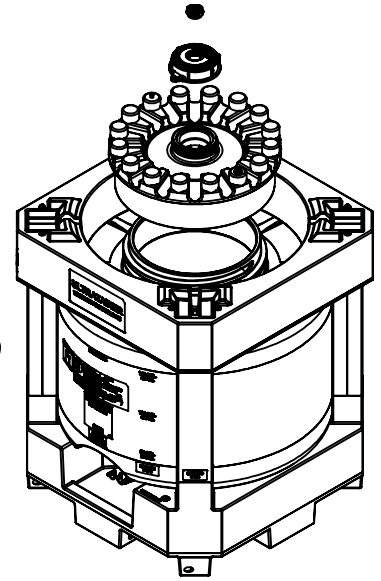
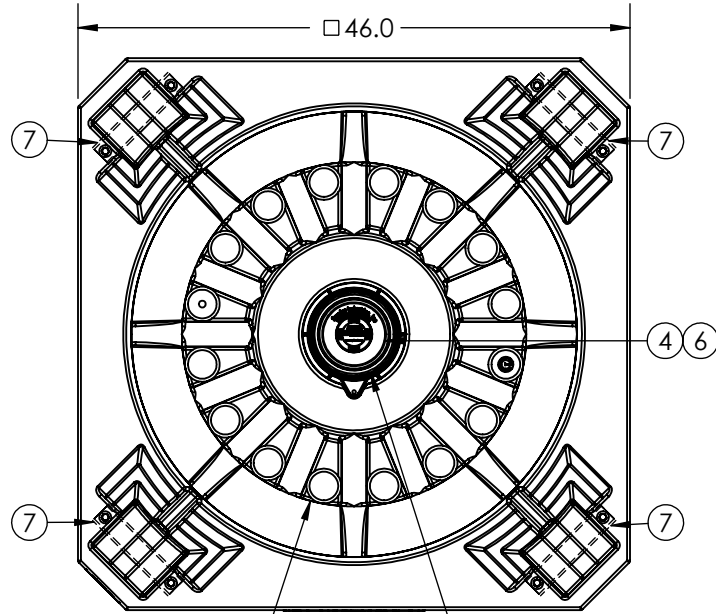
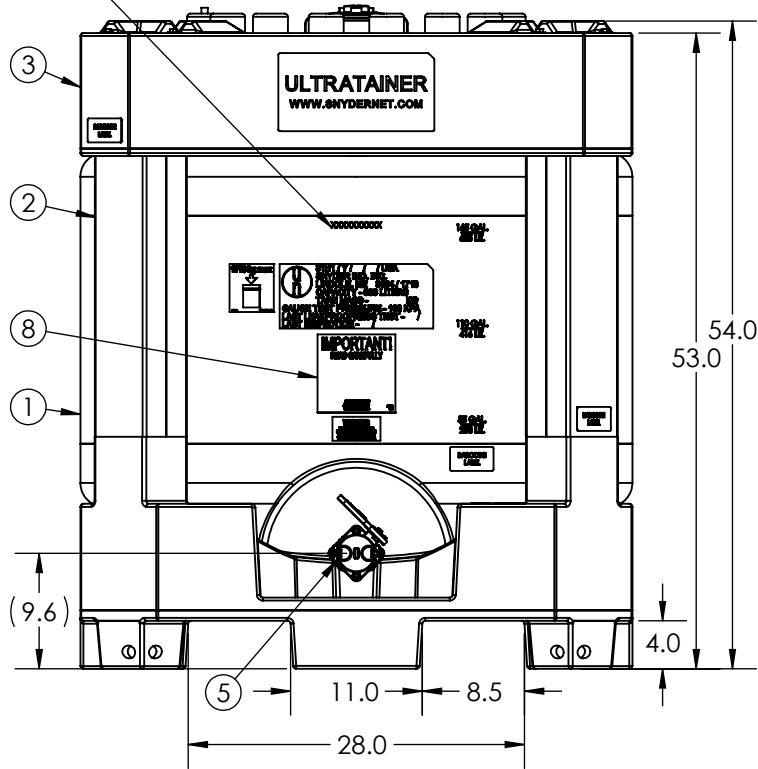


10 DIGIT SERIAL NUMBER



FILLNECK I.D. IS 20.25"

FILLNECK I.D IS 5"

**FORK OPENING DIMENSIONS ARE THE SAME ON ALL FOUR SIDES**

U.N. MARKINGS TO READ:

	31H1/Y/ / /USA
	SNYDER IND. INC.
	LINCOLN, NE 3084 / 1713
	CAPACITY - 833 LITERS
	TARE MASS - KG
	GAUGE TEST PRESSURE - 100 KPA
LAST LEAKPROOFNESS TEST - /	
LAST INSPECTION - /	

8	1	34701262	STD IBC ASSEMBLY KIT W/BAG
7	1	34700905	ASM PIN PURCH PLASTIC W/BOLTS-ULTRA
6	1	34700822	ASM VENT PE 2IN VACUUM SII W/EPDM
5	1	34702616	ASM VALVE 2IN 4-BOLT STUBBY 100KPA
4	1	6750000B99901	ASM CAP 20IN HD/LGRY 2IN CENTER
3	1	6700000B86301	ASM TOP PROTECTOR ULT HD/CBL
2	1	6850000B86301	BASE 220 ULT HD/CBL
1	1	6820006B97201	ASM TK 220 ULT 20CAP HD/NAT

ITEM NO.	QTY.	PART NUMBER	DESCRIPTION
DO NOT SCALE		DRAWN BY	REVISION
STATUS: Released		SB	A
© SNYDER INDUSTRIES INC., 2017			<b>ASM TK 220 ULT 20CAP NAT/CBL EPDM</b>
<small>ALL DIMENSIONS, DESIGNS, AND INFORMATION ON THIS PRINT MUST BE CONSIDERED PROPRIETARY TO SNYDER INDUSTRIES, INC. AND MAY NOT BE USED, COPIED, OR DISTRIBUTED WITHOUT WRITTEN PERMISSION OF AN OFFICER (OR HIS AGENT) OF THE FIRM.</small>			
		(402) 467-5221 www.snydernet.com	ENG. ID. <b>D007151</b>
			SHEET 1 OF 1

ALL DIMENSIONS ARE IN INCHES, NOMINAL, & SUBJECT TO CHANGE WITHOUT NOTICE.  
 ALL DIMENSIONS ON ROTATIONAL MOLDED PARTS ARE SUBJECT TO A ± 3% TOLERANCE.