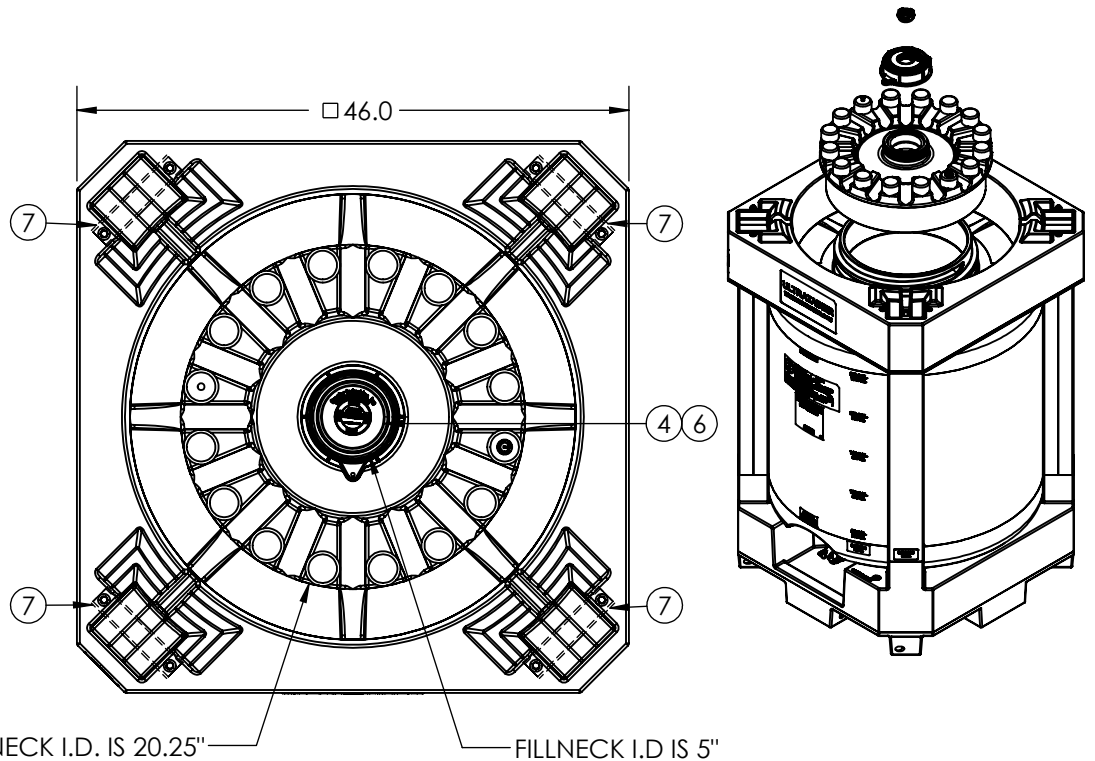
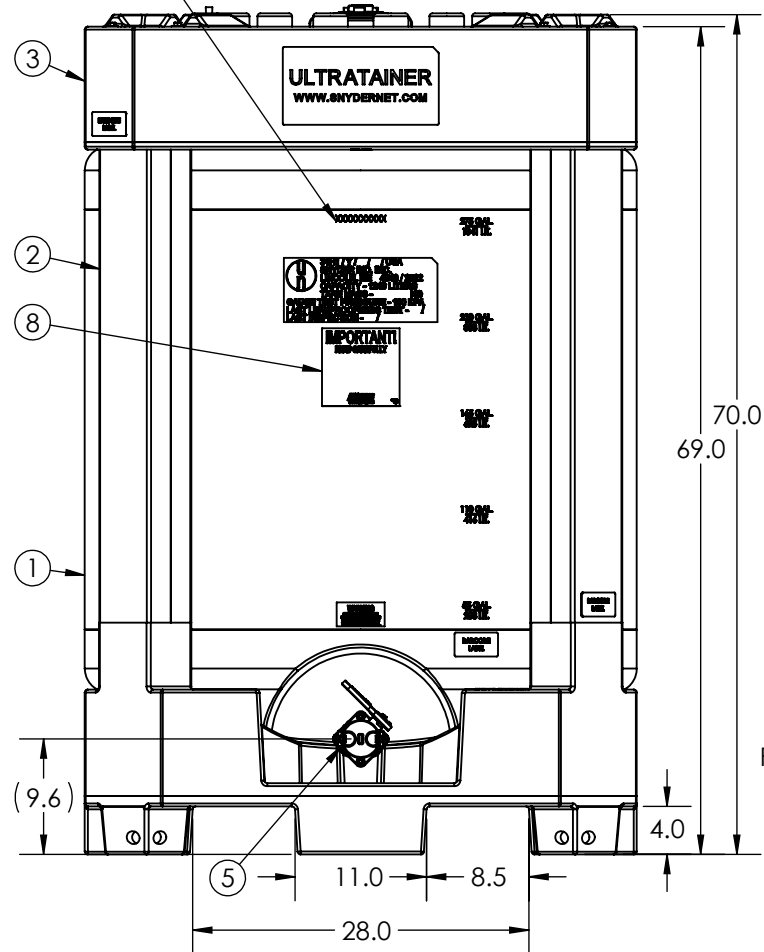


10 DIGIT SERIAL NUMBER



FORK OPENING DIMENSIONS ARE THE SAME ON ALL FOUR SIDES

U.N. MARKINGS TO READ:

	31H1/Y/ / /USA
	SNYDER IND. INC.
	LINCOLN, NE 4540 / 2522
	CAPACITY - 1249 LITERS
	TARE MASS - KG
GAUGE TEST PRESSURE - 100 KPA	
LAST LEAKPROOFNESS TEST - /	
LAST INSPECTION - /	

ITEM NO.	QTY.	PART NUMBER	DESCRIPTION
8	1	34701262	STD IBC ASSEMBLY KIT W/BAG
7	1	34700905	ASM PIN PURCH PLASTIC W/BOLTS-ULTRA
6	1	34700822	ASM VENT PE 2IN VACUUM SII W/EPDM
5	1	34702616	ASM VALVE 2IN 4-BOLT STUBBY 100KPA
4	1	6750000B99901	ASM CAP 20IN HD/LGRY 2IN CENTER
3	1	6700000B86301	ASM TOP PROTECTOR ULT HD/CBL
2	1	6870000B86301	ASM BASE 330 ULT HD/CBL
1	1	6840003B97201	ASM TK 330 ULT 20CAP HD/NAT

ALL DIMENSIONS ARE IN INCHES, NOMINAL, & SUBJECT TO CHANGE WITHOUT NOTICE.
ALL DIMENSIONS ON ROTATIONAL MOLDED PARTS ARE SUBJECT TO A ± 3% TOLERANCE.

DO NOT SCALE		DRAWN BY		TITLE:	ASM TK 330 ULT 20CAP NAT BLUE EPDM	REVISION
STATUS:		SB		Released		A
© SNYDER INDUSTRIES INC., 2017				PART NO.	6840003B97202	SHEET
<small>ALL DIMENSIONS, DESIGNS, AND INFORMATION ON THIS PRINT MUST BE CONSIDERED PROPRIETARY TO SNYDER INDUSTRIES, INC. AND MAY NOT BE USED, COPIED, OR DISTRIBUTED WITHOUT WRITTEN PERMISSION OF AN OFFICER (OR HIS AGENT) OF THE FIRM.</small>				(402) 467-5221 www.snydernet.com		ENG. ID.