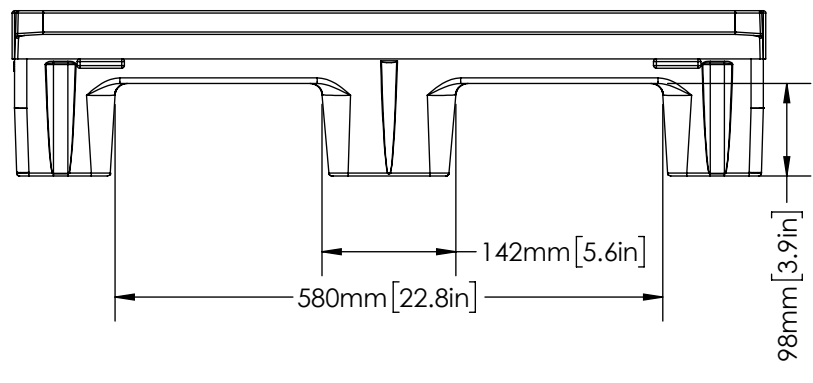
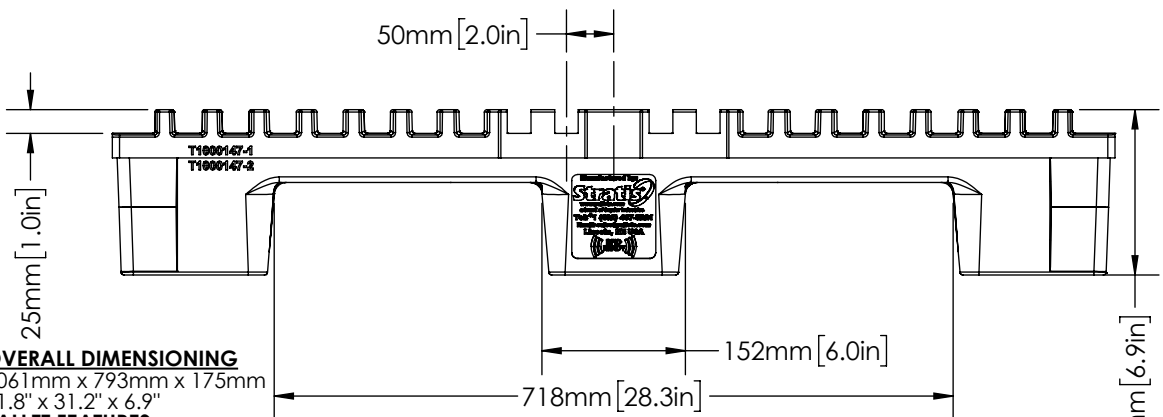


Ø 10mm [.4in] x12  
(bottom of slots)




**OVERALL DIMENSIONING**  
1061mm x 793mm x 175mm  
41.8" x 31.2" x 6.9"

**PALLET FEATURES:**  
WITH OR WITHOUT STEEL REINFORCEMENT  
RFID READY  
4-WAY ENTRY  
UNDER-DECK HANDHOLDS

**PATENT NUMBER/S:**  
US6209464, US670526, EP1152952,  
DE60015930, WO2000048916

**ALL DIMENSIONS ARE IN INCHES, NOMINAL, & SUBJECT TO CHANGE WITHOUT NOTICE.**  
**ALL DIMENSIONS ON MOLDED PARTS ARE SUBJECT TO A ± 3% TOLERANCE, UNLESS SPECIFIED.**

DO NOT SCALE		DRAWN BY	TITLE:	REVISION
STATUS:	Released	RS	Stratis Auto Pallet	A
© SNYDER INDUSTRIES INC., 2015				SHEET
<small>ALL DIMENSIONS, DESIGNS, AND INFORMATION ON THIS PRINT MUST BE CONSIDERED PROPRIETARY TO SNYDER INDUSTRIES, INC. AND MAY NOT BE USED, COPIED, OR DISTRIBUTED WITHOUT WRITTEN PERMISSION OF AN OFFICER (OR HIS AGENT) OF THE FIRM.</small>		+1(402)467-5221 www.pallets.com www.snydernet.com	PART NO.	1 OF 1
		P106RS00-2A	ENG. ID.	D006934