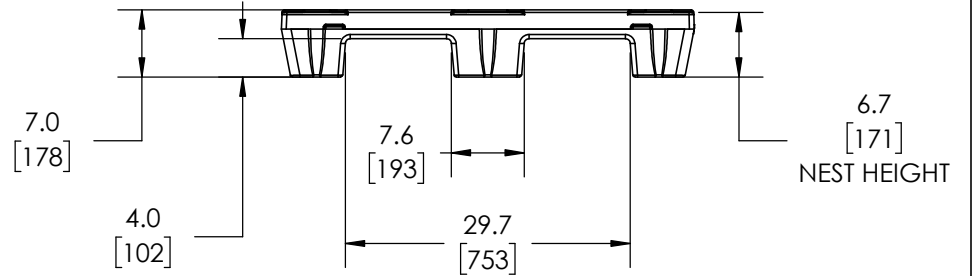
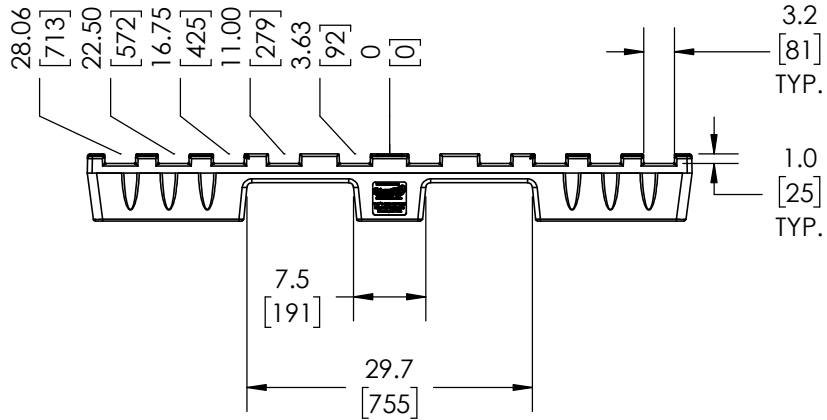
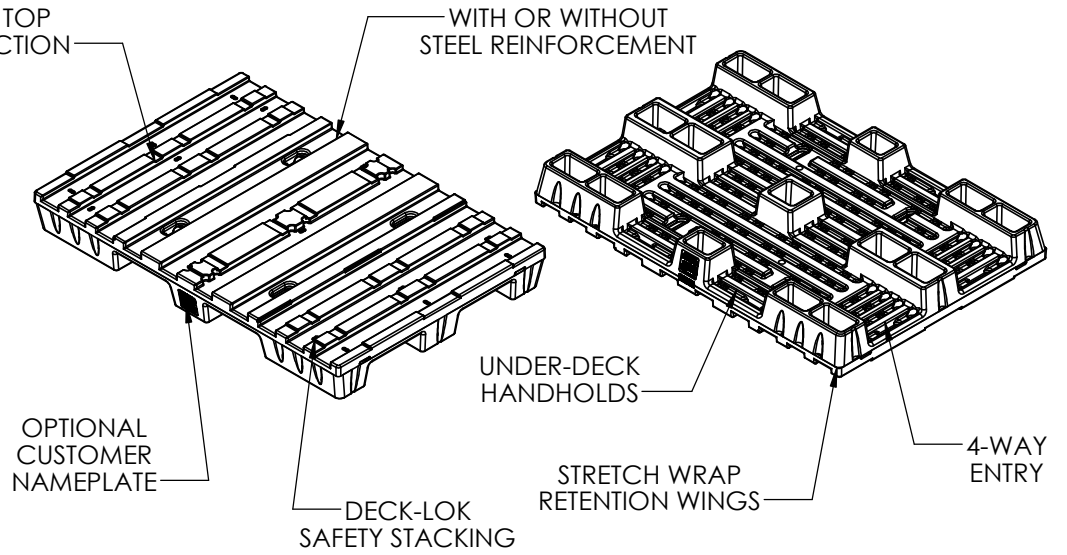


SLOTTED TOP CONSTRUCTION

WITH OR WITHOUT STEEL REINFORCEMENT



**OVERALL DIMENSIONS**

63.0" x 43.0" x 7.0"  
1600mm x 1092mm x 178mm

**PALLET FEATURES**

- WITH OR WITHOUT STEEL REINFORCEMENT
- OPTIONAL CUSTOMER NAMEPLATE
- UNDER-DECK HANDHOLDS
- 4-WAY FORKLIFT ENTRY
- SLOTTED TOP CONSTRUCTION
- DECK-LOK SAFETY STACKING
- STRETCH WRAP RETENTION WINGS

**ALL DIMENSIONS ARE IN INCHES, NOMINAL, & SUBJECT TO CHANGE WITHOUT NOTICE**  
**ALL DIMENSIONS ON MOLDED PARTS ARE SUBJECT TO A ± 3% TOLERANCE.**

DO NOT SCALE		DRAWN BY	TITLE:		REVISION
STATUS: <b>Released</b>		BNC	<b>Stratis Pallet</b>		<b>A</b>
© SNYDER INDUSTRIES, LLC, 2021			PART NO. <b>P6343RS00</b>		SHEET 1 OF 1
<small>ALL DIMENSIONS, DESIGNS, AND INFORMATION ON THIS PRINT MUST BE CONSIDERED PROPRIETARY TO SNYDER INDUSTRIES, LLC, AND MAY NOT BE USED, COPIED, OR DISTRIBUTED WITHOUT WRITTEN PERMISSION OF AN OFFICER (OR HIS AGENT) OF THE FIRM.</small>			+1(402)467-5221 <a href="http://www.pallets.com">www.pallets.com</a> <a href="http://www.snydermet.com">www.snydermet.com</a>		ENG. ID. <b>D011650</b>