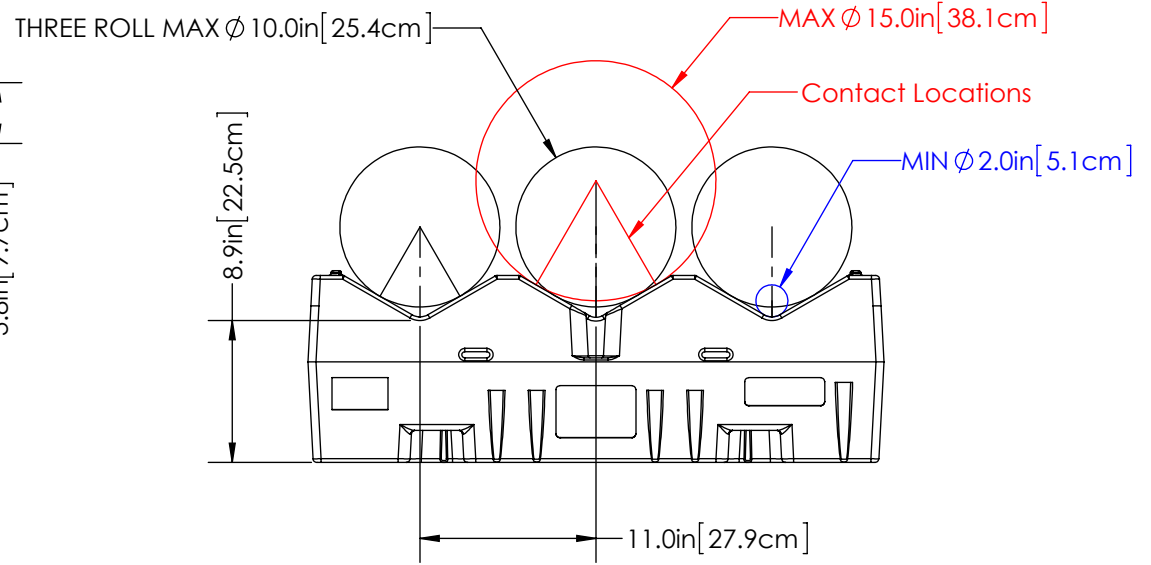
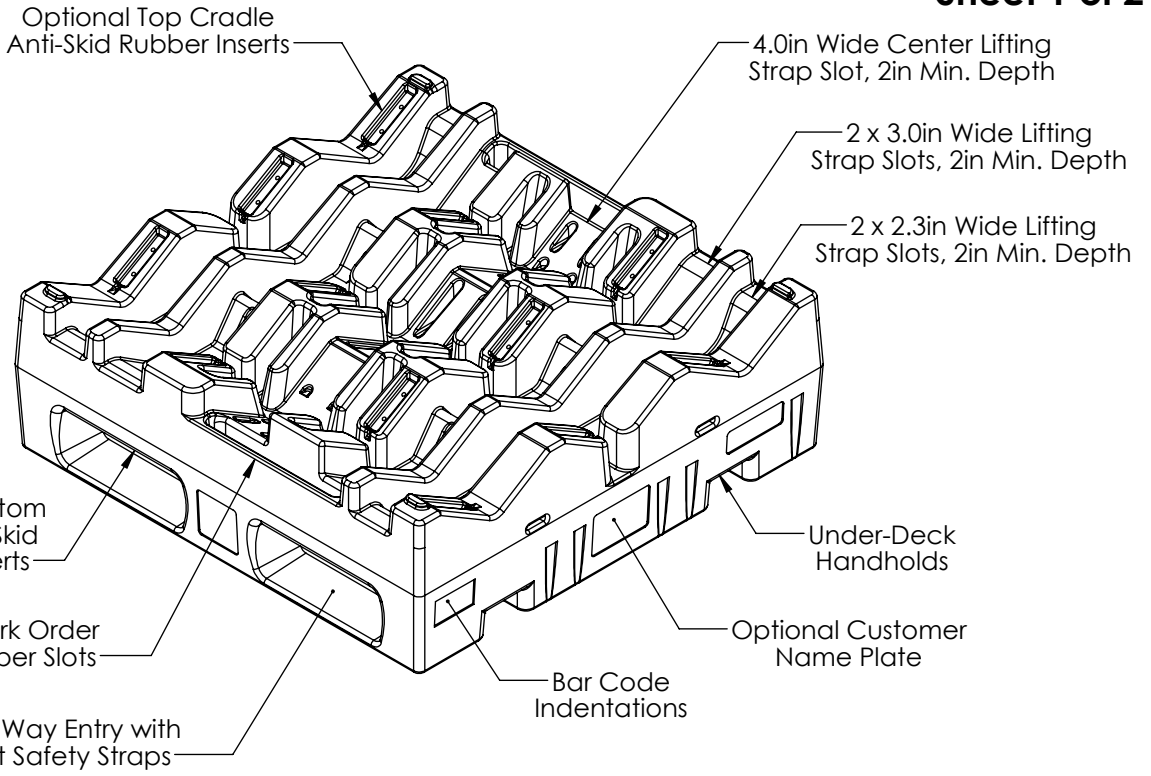


OVERALL DIMENSIONING
 36.0" x 36.0" x 12.0"
 91.4cm x 91.4cm x 30.5cm

- PALLET FEATURES:**
 MOLDED-IN INTERNAL STEEL REINFORCEMENT - 4 BARS STANDARD
 FULL 2-WAY ENTRY, FORKLIFT AND PALLET JACK
 UNDER-DECK HANDHOLDS
 SAFETY STACKING
 BAR CODE INDENTATIONS
 LIFTING STRAP SLOTS
 WORK ORDER PAPER SLOTS
 OPTIONAL CUSTOMER NAME PLATE
 TOP CRADLE ANTI-SKID RUBBER INSERTS
 BOTTOM FORKLIFT ANTI-SKID RUBBER INSERTS

ALL DIMENSIONS ARE IN INCHES, NOMINAL, & SUBJECT TO CHANGE WITHOUT NOTICE.
ALL DIMENSIONS ON MOLDED PARTS ARE SUBJECT TO A ± 3% TOLERANCE.

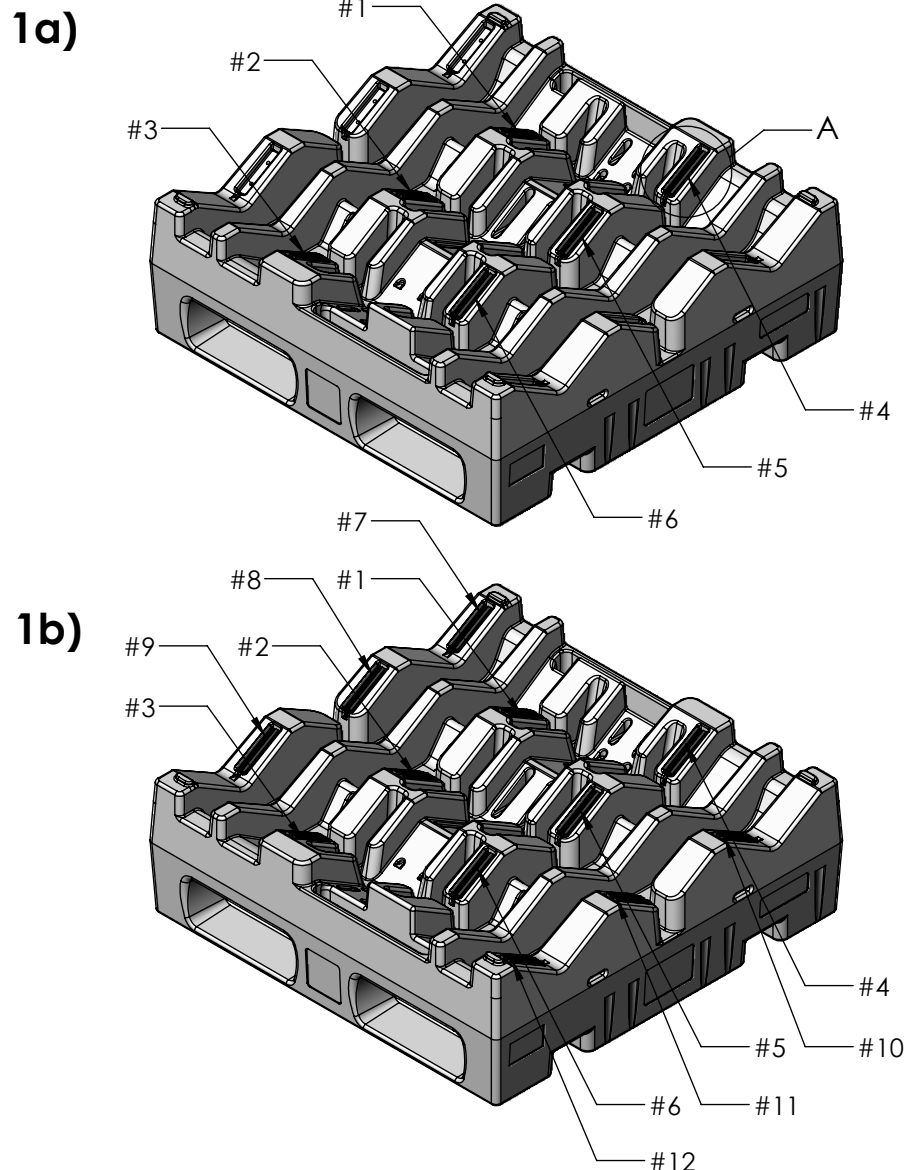


DO NOT SCALE		DRAWN BY	DATE	TITLE: Stratis Pallet		REVISION
Released		RS	11/21/2014	Snyder Industries Inc. 4700 Fremont Street P.O. Box 4583 Lincoln, NE 68504 +1(402)467-5221 www.pallets.com		SHEET
© SNYDER INDUSTRIES INC., 2014				PART NO. RHRP36363CS00		ENG. ID. D003211
ALL DIMENSIONS, DESIGNS, AND INFORMATION ON THIS PRINT MUST BE CONSIDERED PROPRIETARY TO SNYDER INDUSTRIES, INC. AND MAY NOT BE USED, COPIED, OR DISTRIBUTED WITHOUT WRITTEN PERMISSION OF AN OFFICER (OR HIS AGENT) OF THE FIRM.						1 OF 2

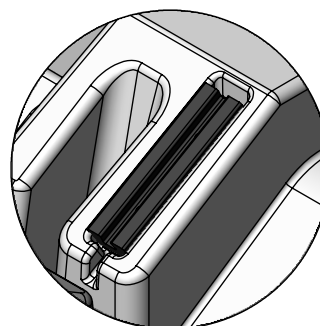
ANTI-SKID RUBBER INSERT LOCATIONS

1. **Top Cradle Anti-Skid Rubber Inserts**
 - a) 6 Inserts located in the center of each cradle, 3 cradles with 2 per cradle - STANDARD
 - b) 12 Inserts located in the center and ends of each cradle, 3 cradles with 4 per cradle - OPTIONAL
2. **Bottom Forklift Anti-Skid Rubber Inserts**
 - a) 4 Inserts located by enach fork entry, 2-way entry with 2 per side - STANDARD

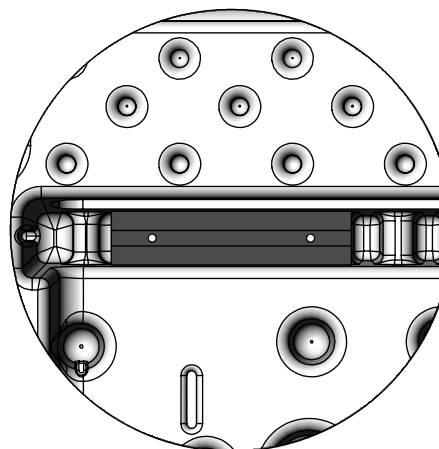
Standard Part Number - RHRP36363CS72-HD4-SR6BT4



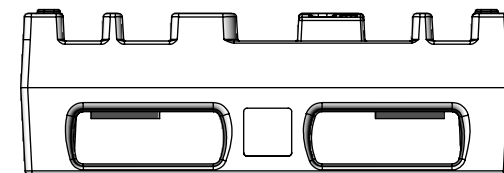
2a)



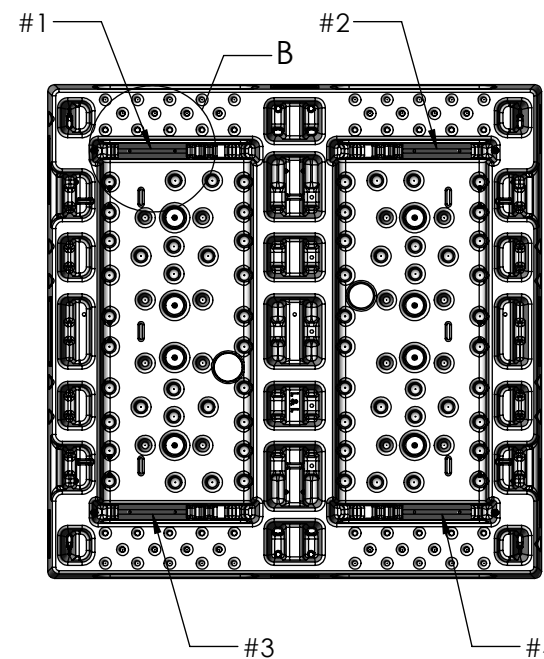
DETAIL A
SCALE 1 : 4




DETAIL B
SCALE 1 : 4



FORK ENTRY VIEW



ALL DIMENSIONS ARE IN INCHES, NOMINAL, & SUBJECT TO CHANGE WITHOUT NOTICE.
ALL DIMENSIONS ON MOLDED PARTS ARE SUBJECT TO A ± 3% TOLERANCE.

DO NOT SCALE	DRAWN BY	DATE	 Snyder Industries Inc. 4700 Fremont Street P.O. Box 4583 Lincoln, NE 68504 +1(402)467-5221 www.pallets.com	TITLE:	REVISION
STATUS:	RS	11/21/2014		Stratis Pallet	
© SNYDER INDUSTRIES INC., 2014				PART NO.	SHEET
ALL DIMENSIONS, DESIGNS, AND INFORMATION ON THIS PRINT MUST BE CONSIDERED PROPRIETARY TO SNYDER INDUSTRIES, INC. AND MAY NOT BE USED, COPIED, OR DISTRIBUTED WITHOUT WRITTEN PERMISSION OF AN OFFICER (OR HIS AGENT) OF THE FIRM.				RHRP36363CS00	2 OF 2
				ENG. ID.	
				D003211	