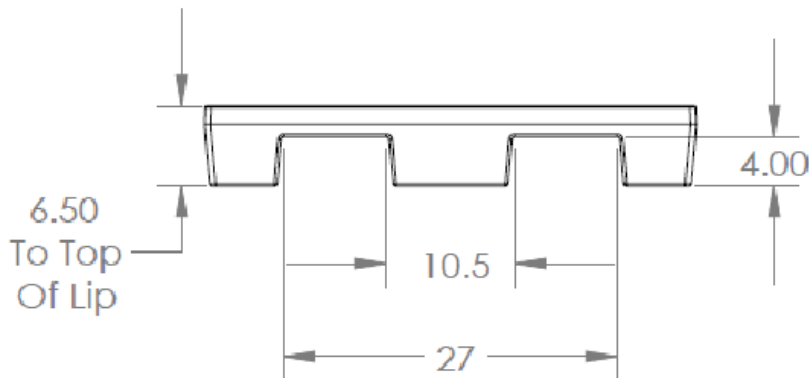


SECTION A-A  
SCALE 1 : 4



|  |          |          |
|--|----------|----------|
| DO NOT SCALE   | DRAWN BY | DATE     |
| TOLERANCES:<br>AS PER SII STANDARDS  | IGG      | 01/07/14 |
| © SNYDER INDUSTRIES INC., 2014<br>ALL DIMENSIONS NOMINAL & SUBJECT TO CHANGE WITHOUT NOTICE  |          |          |
| ALL DIMENSIONS, DESIGNS, AND INFORMATION ON THIS PRINT MUST BE<br>CONSIDERED PROPRIETARY TO SNYDER INDUSTRIES, INC. AND MAY NOT BE<br>USED, COPIED, OR DISTRIBUTED WITHOUT WRITTEN PERMISSION OF AN<br>OFFICER (OR HIS AGENT) OF THE FIRM. |          |          |



Snyder Industries Inc.  
4700 Fremont Street  
P.O. Box 4583  
Lincoln, NE 68504  
+1(402)467-5221  
www.pallets.com

|                                 |  |                      |
|---------------------------------|--|----------------------|
| TITLE:<br><b>Stratis Pallet</b> |  | REVISION<br><b>0</b> |
| PART NO.<br><b>TP4040DOLO</b>   |  | SHEET<br>1 Of 1      |
| ENG. ID.<br><b>TP4040DOLO</b>   |  |                      |

**Pallet Features:**  
Pallet with Lip  
2-Way Fork-Lift Entry