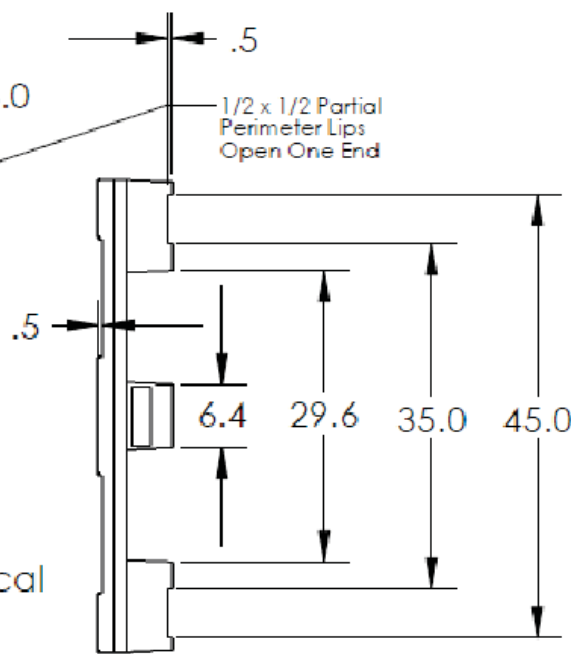
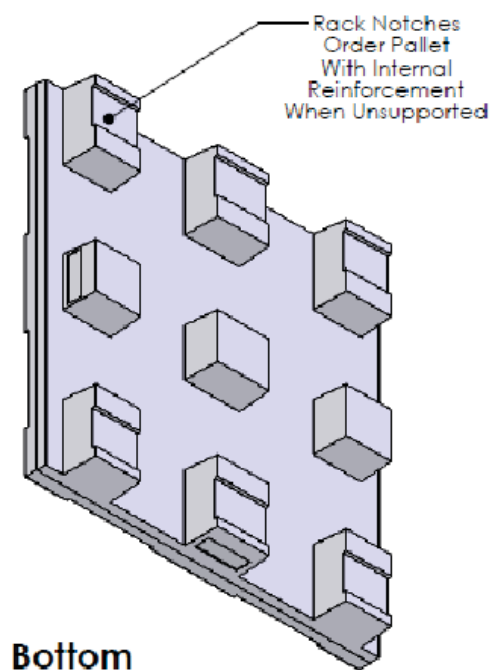


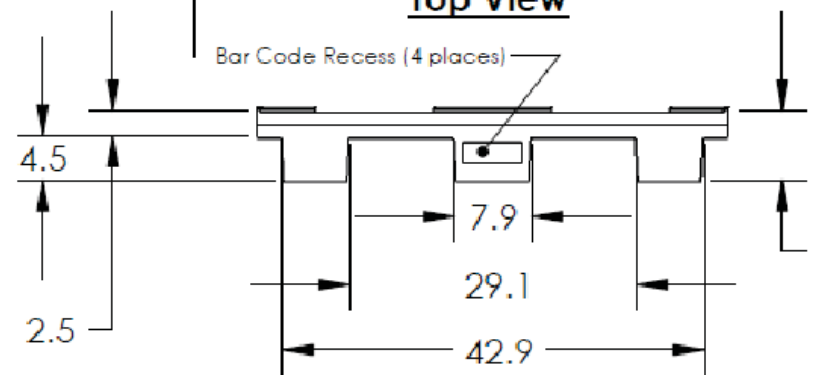
Top View



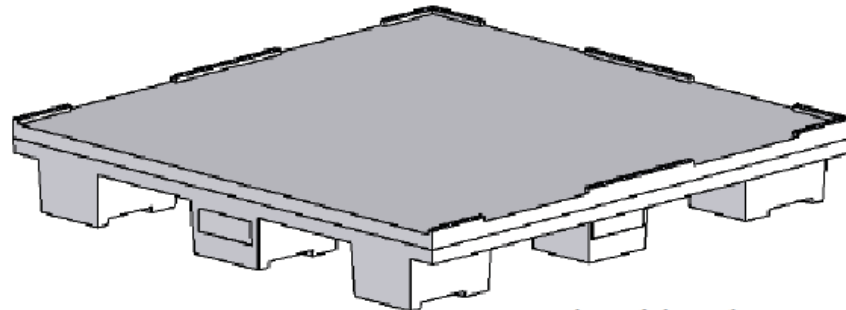
Side View



Bottom View of Pallet



End View



Dimetric View

Rack Notches
Order Pallet
With Internal
Reinforcement
When Unsupported

DO NOT SCALE	DRAWN BY	DATE
TOLERANCES: AS PER SII STANDARDS	IGG	01/07/14
© SNYDER INDUSTRIES INC., 2014 ALL DIMENSIONS NOMINAL & SUBJECT TO CHANGE WITHOUT NOTICE		
ALL DIMENSIONS, DESIGNS, AND INFORMATION ON THIS PRINT MUST BE CONSIDERED PROPRIETARY TO SNYDER INDUSTRIES, INC. AND MAY NOT BE USED, COPIED, OR DISTRIBUTED WITHOUT WRITTEN PERMISSION OF AN OFFICER (OR HIS AGENT) OF THE FIRM.		

Stratis
A Brand of Snyder Industries
Snyder Industries Inc.
4700 Fremont Street
P.O. Box 4583
Lincoln, NE 68504
+1(402)467-5221
www.pallets.com

TITLE:	Stratis Pallet		REVISION 0
PART NO.	TP4848DJGO	ENG. ID.	TP4848DJGO
			SHEET 1 Of 1