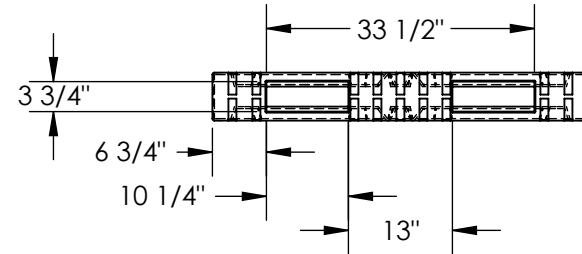
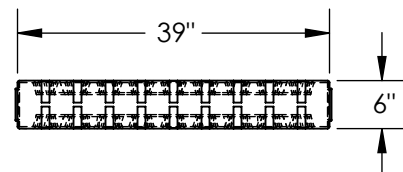
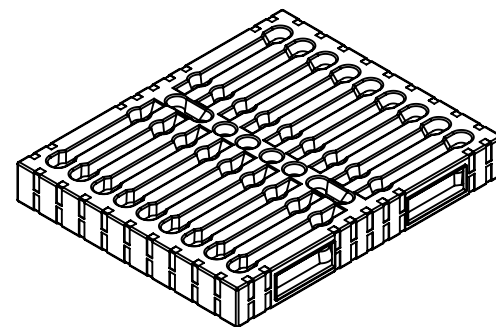
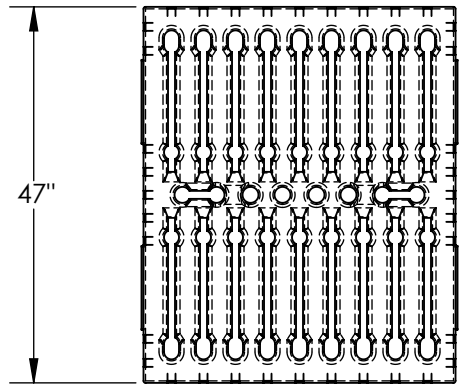


PLASTIC PALLET/SKID - PLPS-WD

APPROX WEIGHT: 40 lbs.
DOES NOT INCLUDE WEIGHT OF POWER OR PACKAGING!!!

*** ANY ADDITIONS, DELETIONS, OR OMISSIONS MUST BE CORRECTED ON THIS DRAWING AS THIS DRAWING WILL BE CONSIDERED ALL INCLUSIVE ***

ALL GRAPHICS PROVIDED ARE FOR REFERENCE ONLY. IF CERTAIN DIMENSIONS ARE CRITICAL PLEASE VERIFY THOSE DIMENSIONS WITH YOUR SALESPERSON



STANDARD FEATURES

- MODEL NUMBER IS PLPS-WD
- OVERALL WIDTH IS 39"
- OVERALL LENGTH IS 47"
- OVERALL HEIGHT IS 6"
- FLOOR (STATIC) WEIGHT CAPACITY: 8,000 LBS
- FORK (DYNAMIC) WEIGHT CAPACITY: 3,300 LBS
- UNSUPPORTED PALLET RACK WEIGHT CAPACITY: NOT RATED
- FORK OPENING (W X H): 10 1/4" X 3 3/4"
- BLUE IN COLOR

SPECIAL FEATURES

NONE

A P P R O V A L	I, THE UNDERSIGNED, AGREE THAT THE PRODUCT AS REPRESENTED SATISFIES DESIGN AND DIMENSION REQUIREMENTS. I ALSO ACKNOWLEDGE MY DUTY TO CONFIRM PRODUCT AND INSTALLATION COMPLIANCE WITH ALL APPLICABLE FEDERAL, STATE AND LOCAL REGULATIONS AND STANDARDS.	
	ALL SPECIAL UNITS ARE NON-RETURNABLE	
	[] As drawn [] As marked	
Signed: _____		Date: _____
LEAD TIME WILL START UPON RECEIPT OF SIGNED APPROVAL DRAWING		

DISTRIBUTOR'S NAME:		P.O.#
VESTIL MANUFACTURING		X
DRAWN BY: DEY		W.O.#
DATE: 11/19/10		X
REFERENCE: X		SALES: X
QUOTED LEAD TIME: X		SCALE: 1:24
QUOTE # X		FILE NAME:
		30-007-199